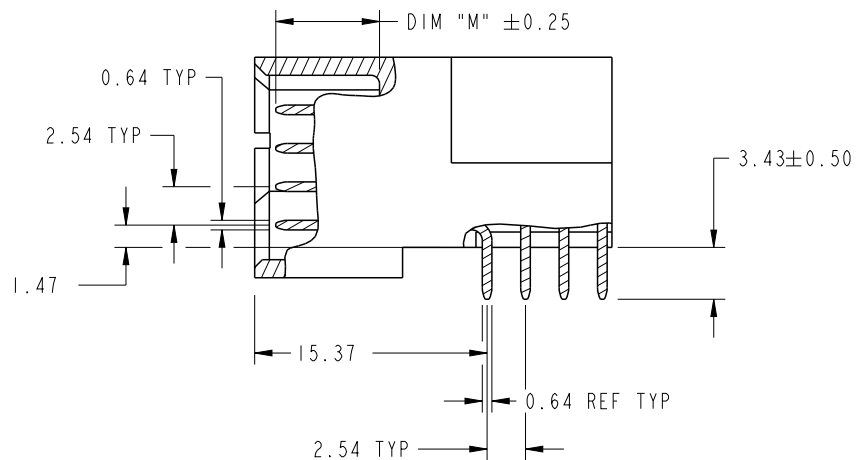


| CODE | DIM "M" MATING LENGTH | CONTACT TYPE |
|------|-----------------------|--------------|
| U | [6.86] | SIGNAL |
| T | [6.86] | SIGNAL |
| S | [6.86] | SIGNAL |
| R | [6.86] | SIGNAL |
| E | [5.59] | SIGNAL |
| PA | [N/A] | POWER |
| HA | [N/A] | HOLD-DOWN |
| X | N/A | OMITTED |
| E | [5.59] | SIGNAL |

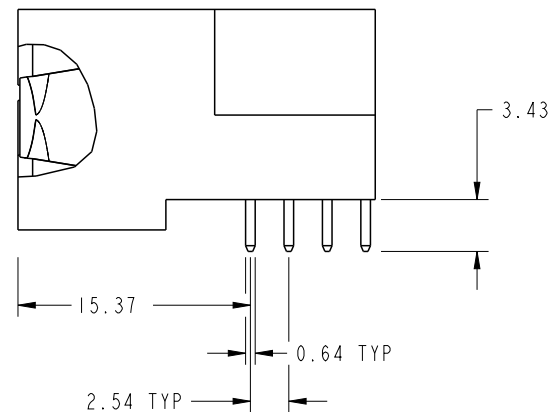
| | | | | | | | | | | | | | |
|---------------|---------------------------------------|------|---------|------------|----------------|-----------------|--------|-----------|-----------|-------------|---|------------------------|--------------|
| spec ref | * | dr | Ruan MT | 2012/10/26 | projection | MM | size | A4 | scale | 1:1 | | | |
| tolerance std | TOLERANCES UNLESS OTHERWISE SPECIFIED | eng | Ruan MT | 2013/05/20 | | | ecn no | - | | | | | |
| SEE NOTE | | chr | - | - | product family | | | PwrBlade | rel level | Released | | | |
| surface | linear | 0.X | ±0.5 | | title | 4P + 24S + 3ACP | dwg no | 51939-715 | rev | A | | | |
| | | 0.XX | ±0.25 | | | | | | | cat. no. | - | Product - Customer Drw | sheet 1 of 4 |
| | angular | 0° | ±2° | | | | | | | www.fci.com | | | |

PRODUCT NUMBER

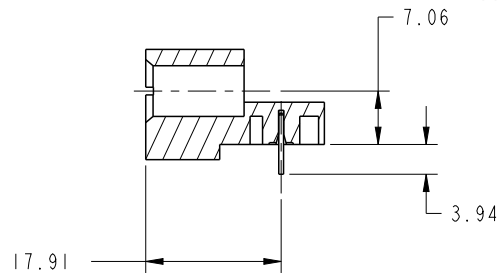
51939-715--
NOTE: 3



BROKEN-OUT SECTION A-A
SCALE 2:1



BROKEN-OUT SECTION B-B
SCALE 2:1



SECTION C-C

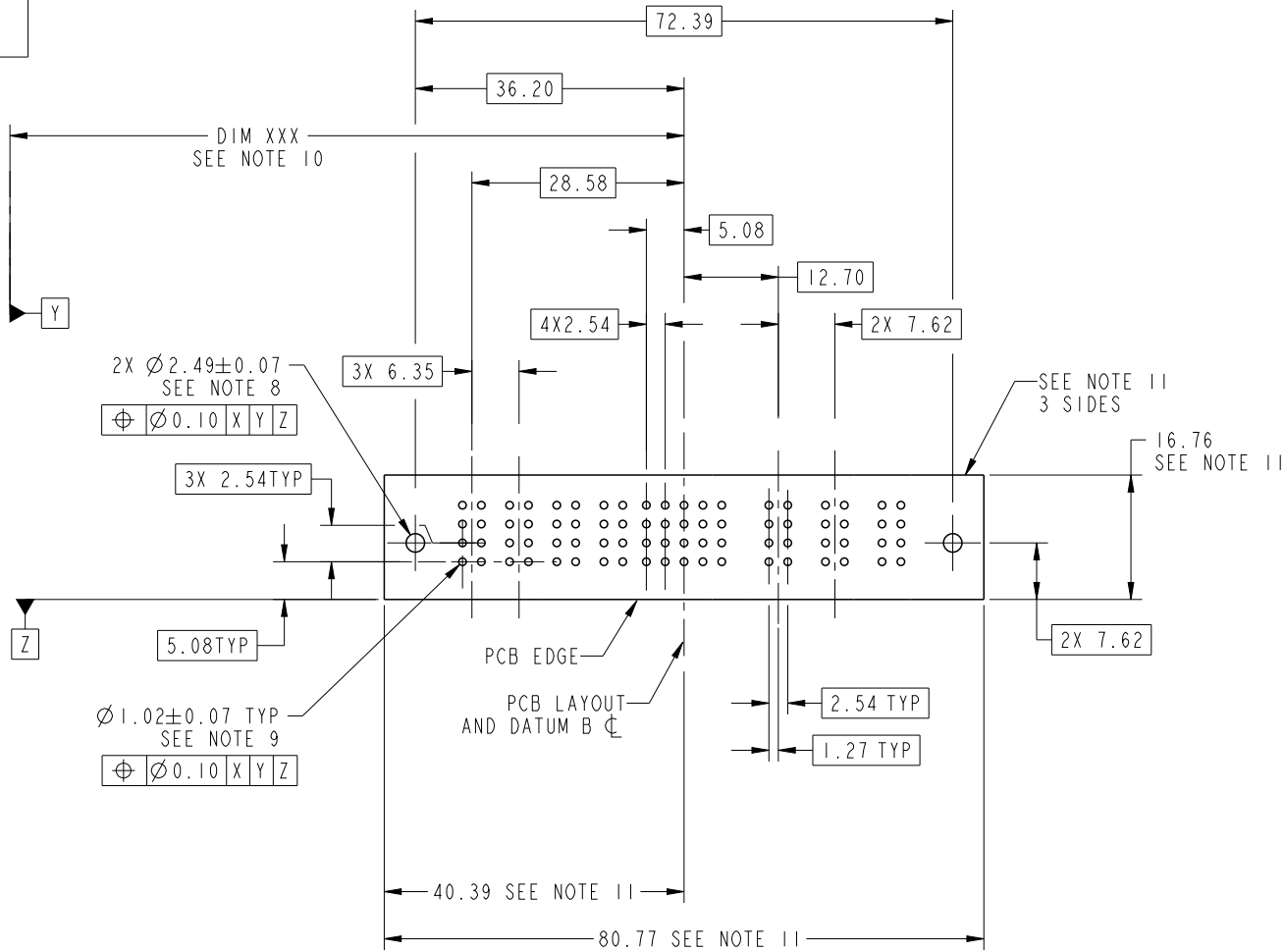
| | | | | | | | | |
|-------------|----------------|--|---------------------|------------------------|--------------|----------|-------|-----|
| dr | Ruan MT | 2012/10/26 | projection | MM | size | A4 | scale | 1:1 |
| eng | Ruan MT | 2013/05/20 | | | ecn no | - | | |
| chr | - | - | | | rel level | Released | | |
| appr | Pei-Ming Zheng | 2013/05/20 | product family | PwrBlade | | | | |
| | | title 4P + 24S + 3ACP RIGHT ANGLE STB HEADER | dwg no 51939-715 | rev A | | | | |
| www.fci.com | | cat. no. | - | Product - Customer Drw | sheet 2 of 4 | | | |



Copyright FCI.

PRODUCT NUMBER

51939-715--
NOTE: 3



RECOMMENDED PCB LAYOUT

| | | | | | | | | |
|-------------|----------------|---|------------------------|----------|--------------|----------|-------|-----|
| dr | Ruan MT | 2012/10/26 | projection | MM | size | A4 | scale | 1:1 |
| eng | Ruan MT | 2013/05/20 | | | ecn no | - | | |
| chr | - | - | | | rel level | Released | | |
| appr | Pei-Ming Zheng | 2013/05/20 | product family | PwrBlade | rev | A | | |
| | title | 4P + 24S + 3ACP RIGHT ANGLE STB HEADER | | dwg no | 51939-715 | | | |
| www.fci.com | cat. no. | - | Product - Customer Drw | | sheet 3 of 4 | | | |



PRODUCT NUMBER

51939-715--
NOTE: 3

NOTES:

1. DIMENSIONS AND TOLERANCES ARE IN ACCORDANCE WITH ASME Y14.5M, 1994 UNLESS OTHERWISE SPECIFIED.

CONNECTOR NOTES:

- 2. HOUSING MATERIAL: UL 94 V-0 GLASS FILLED HIGH-TEMP THERMOPLASTIC
POWER CONTACT MATERIAL: COPPER ALLOY
SIGNAL PIN MATERIAL: COPPER ALLOY
- 3. SEE ITEM 1 & 2 IN PRINT 10064183 FOR PLATING SPEC OF 51939-715 AND 51939-715LF RESPECTIVELY.
- 4. MANUFACTURER'S NAME, DATE CODE AND OPTIONAL P/N TO APPEAR ON THIS SURFACE. THE P/N CAN BE OMITTED IF THERE IS NOT ENOUGH SPACE ON THIS SURFACE.
- 5. PRODUCT SPECIFICATION GS-12-149.
APPLICATION SPECIFICATION BUS-20-067.
- 6. PACKAGED IN TRAYS.

PCB NOTES:

- 7. ALL HOLE DIAMETERS ARE FINISHED HOLE SIZE.
- 8. MOUNTING HOLES, WHERE APPLICABLE, ARE UNPLATED.
- 9. $\varnothing 1.151 \pm 0.025$ DRILLED HOLES PLATED WITH
0.008 MIN SnPb OR Sn OVER 0.03
TO 0.08 Cu PLATING TO ACHIEVE
 $\varnothing 1.02 \pm 0.07$ HOLE.
- 10. "DIM XXX" TO BE DETERMINED BY THE CUSTOMER.
- 11. CONNECTOR KEEP-OUT ZONE.

| | | | | | | | | | |
|-------------|----------------|---|------------------------|----------|-----------|--------------|-------|-----|---|
| dr | Ruan MT | 2012/10/26 | projection | MM | size | A4 | scale | 1:1 | |
| eng | Ruan MT | 2013/05/20 | | | ecn no | - | | | |
| chr | - | - | | | | | | | |
| appr | Pei-Ming Zheng | 2013/05/20 | product family | PwrBlade | rel level | Released | | | |
| | title | 4P + 24S + 3ACP RIGHT ANGLE STB HEADER | | | dwg no | 51939-715 | | rev | A |
| www.fci.com | cat. no. | - | Product - Customer Drw | | | sheet 4 of 4 | | | |