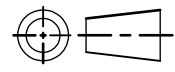
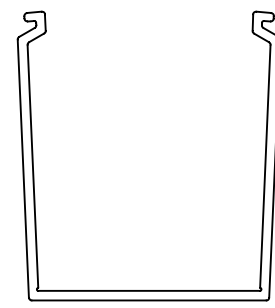


SW2010



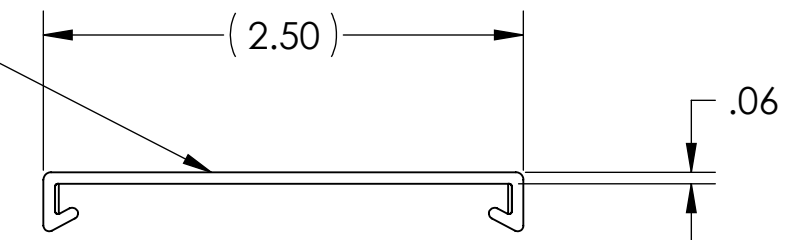
SCALE 1:2



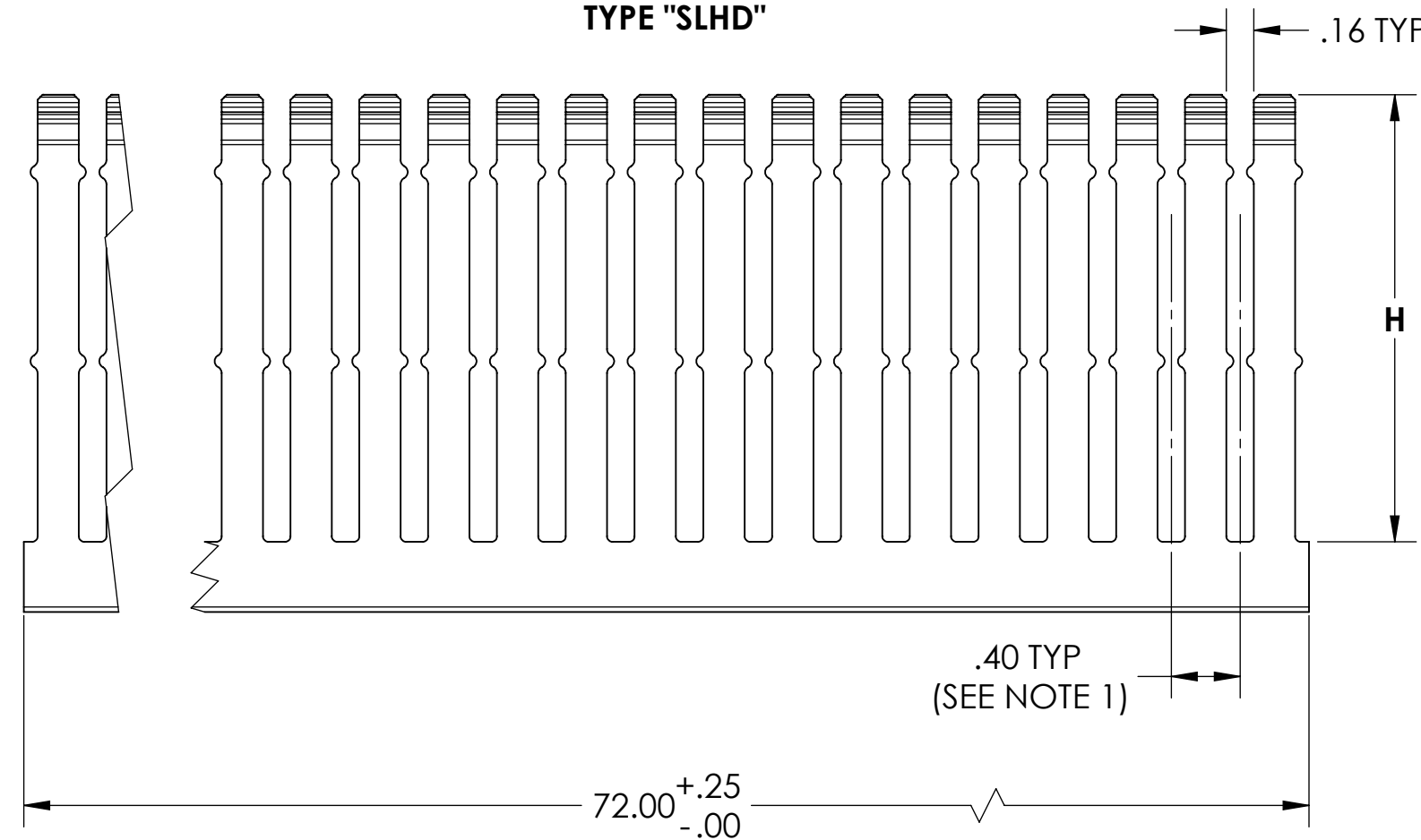
2.5X3

Revision level		Revision Record	Changed	Date	Approved	Date
Drawing	Part					
01	-	SEE ECN# 100016	MHT	01/09/2012	MHT	02/06/2012

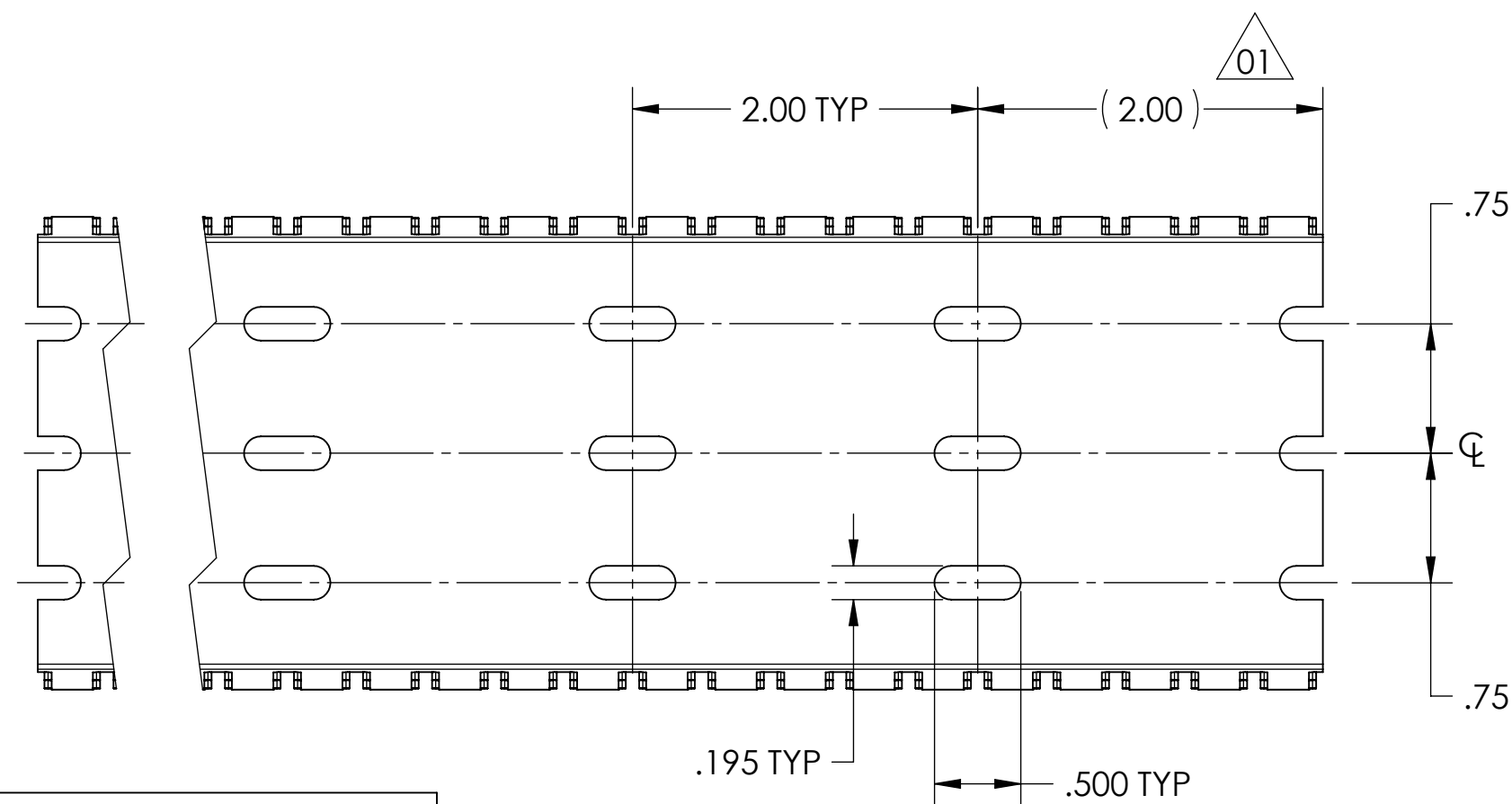
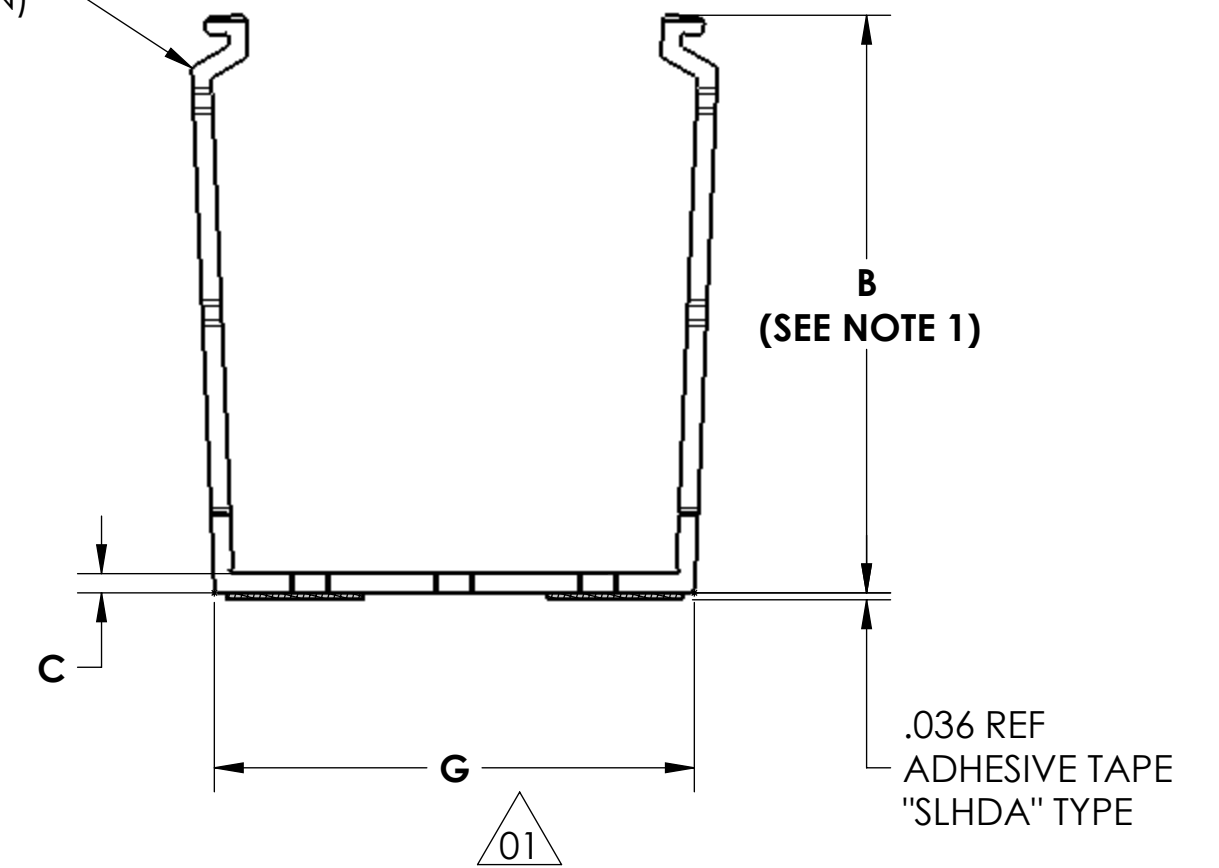
COVER WITH REMOVABLE PROTECTIVE FILM



**SLOTTED WALL DUCT
TYPE "SLHD"**



DUCT (2.5X3 SHOWN)



DUCT SIZE (WxH)	DUCT AREA (Sq. In.)	50% WIRE FILL CAPACITY								
		WIRE O.D.								
		12AWG	14AWG	16AWG	18AWG	22AWG	TWISTED PAIR 24 AWG UNSHIELDED			
		.158	.165	.139	.125	.113	.065	4 Pr. Cat 5e .217	4 Pr. Cat 6 .240	4 Pr. Cat 6a .354
2.5X3	6.564	167	154	216	268	327	990	89	73	33

TYPE NUMBER	DESCRIPTION	MOUNTING METHOD	B (SEE NOTE 1)	C	G	H
TC2.5	COVER	-	-	-	-	-
SLHD2.5X3	HD SLOTTED DUCT	SCREW	3.009 +.035/-0.020	.100 +/--.007	2.500 +/--.029	2.600 ±.015
SLHDA2.5X3	HD SLOTTED DUCT W/ADHES.	ADHESIVE TAPE	3.009 +.035/-0.020	.100 +/--.007	2.500 +/--.029	2.600 ±.015

Notes
1) BOTH SIDES ALIKE WITHIN .015



Material

PVC
AVAILABLE IN WHITE,
GRAY, BLACK, OR BLUE
CONSULT FACTORY FOR
OTHER COLORS
RoHS COMPLIANT

Units

inches
Dimension without tolerances
details to:
.xxxx = ±.0005
.xxx = ±.005
.xx = ±.01
.x = ±.03
None = ±.06
∠ = ±0.5°

The copyright of this drawing is reserved by HellermannTyton. It is issued on condition that it is not reproduced, copied, or disclosed to a third party, either wholly or in part, without the consent of HellermannTyton.

Drawn	KAC	10/27/2010	Article/Type-No	SEE CHART	Scale	1:1
Approved			Title	2.5" WIDE SLHD, SLHDA DUCT WITH COVER	Project Number	PRP07-021
HellermannTyton North America Email: corp@htamericas.com Web: www.hellermann.tyton.com			Drawing-No	DT07-021-253CST	Format	C
			Pre-Production : Phase		Sheet	1/1